

THIS DRAWING IS UNPUBLISHED.

RELEASED FOR PUBLICATION

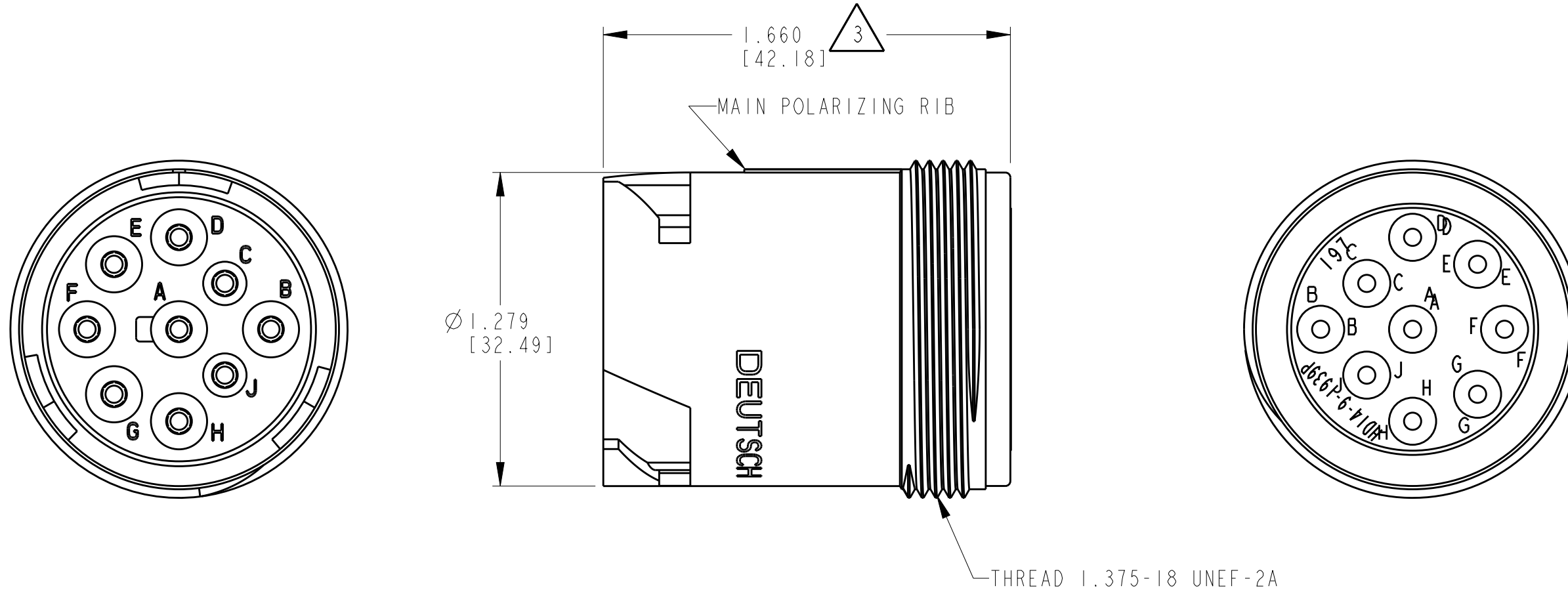
20

LOC DIST

REVISIONS

© COPYRIGHT 20 ALL RIGHTS RESERVED.

P	LTR	DESCRIPTION	DATE	DWN	APVD
	NC	NEW RELEASE PER E.O. PI5120	10-7-96	JN	RDR
	A	REVISED PER E.O. PI5192	1-7-97	JN	RDR
	AI	REVISED PER ECO-13-019591	11-12-13	JA	IG



4. MATERIAL: SHELL: PLASTIC; SEAL: RUBBER.


3 OVERALL DIMENSION DOES NOT INCLUDE RUBBER GROMMET.

2. THIS CONNECTOR SERIES WILL ACCOMMODATE THE FOLLOWING WIRE INSULATION DIAMETERS.

CONTACT SIZE	MINIMUM O.D.	MAXIMUM O.D.	WIRE GAGE RANGE
16	.100 (2.54)	.150 (3.81)	18 THRU 14

- PERTINENT INFORMATION:
18 & 16 AWG POWER CONTACTS SOC. # 0460-202-16141.
16 & 14 AWG POWER CONTACTS SOC. # 0460-215-16141.

NOTES: UNLESS OTHERWISE SPECIFIED

THIS DRAWING IS A CONTROLLED DOCUMENT.		DWN 12NOV2013 JAIME C. APOSTOL	 TE Connectivity													
DIMENSIONS: INCHES [mm]		CHK 11-12-13 ILINA GRANTCHAROVA														
TOLERANCES UNLESS OTHERWISE SPECIFIED:		APVD 11-12-13 ILINA GRANTCHAROVA	NAME RECEPTACLE CONNECTOR HD10 SERIES ARR. 9-1939 COLOR: BLACK													
<table border="0"> <tr> <td>0 PLC</td><td>±</td></tr> <tr> <td>1 PLC</td><td>±</td></tr> <tr> <td>2 PLC</td><td>±</td></tr> <tr> <td>3 PLC</td><td>±.025 [.64]</td></tr> <tr> <td>4 PLC</td><td>±</td></tr> <tr> <td>ANGLES</td><td>±0°30'0"</td></tr> </table>		0 PLC	±	1 PLC	±	2 PLC	±	3 PLC	±.025 [.64]	4 PLC	±	ANGLES	±0°30'0"	PRODUCT SPEC	SIZE CAGE CODE DRAWING NO RESTRICTED TO	
0 PLC	±															
1 PLC	±															
2 PLC	±															
3 PLC	±.025 [.64]															
4 PLC	±															
ANGLES	±0°30'0"															
MATERIAL FINISH		APPLICATION SPEC	A3 4AFU8 C-HD14-9-1939P													
		WEIGHT	SCALE NONE SHEET 1 OF 1 REV AI													
		Customer Drawing														